

Customer Information Sheet

DRAWING No.: M83-FCXXX05FI-XXXXFI

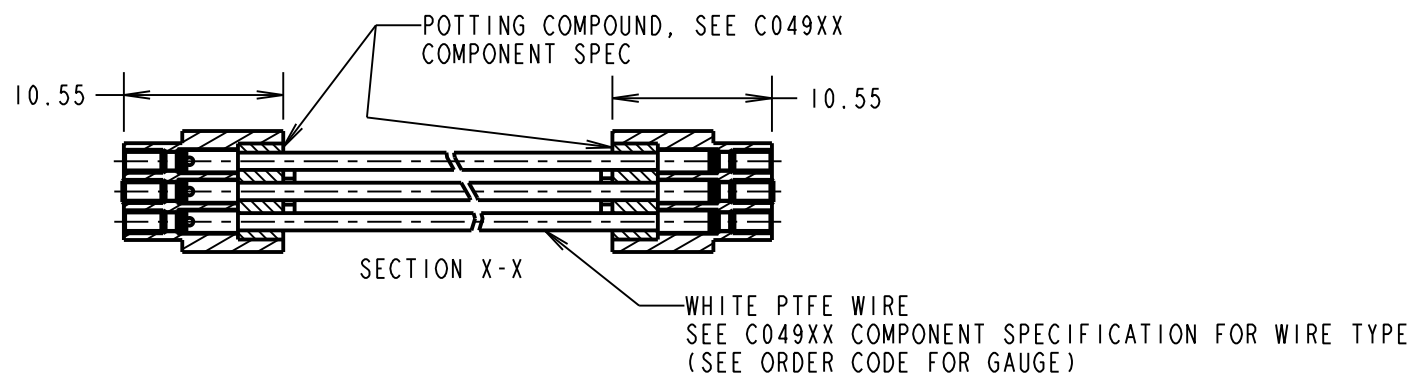
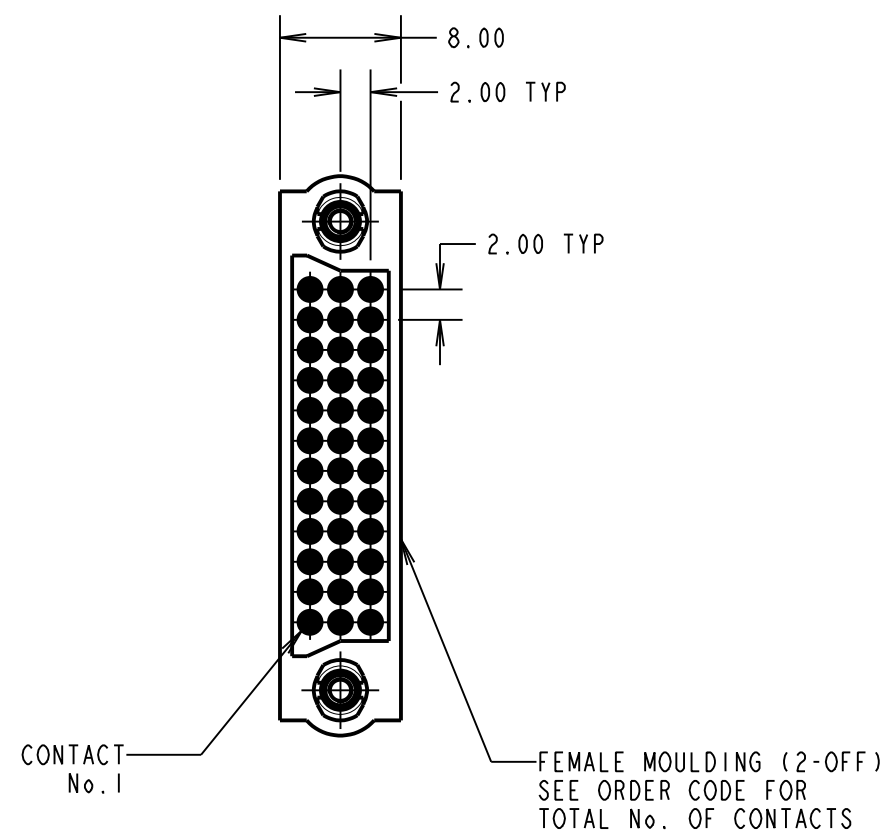
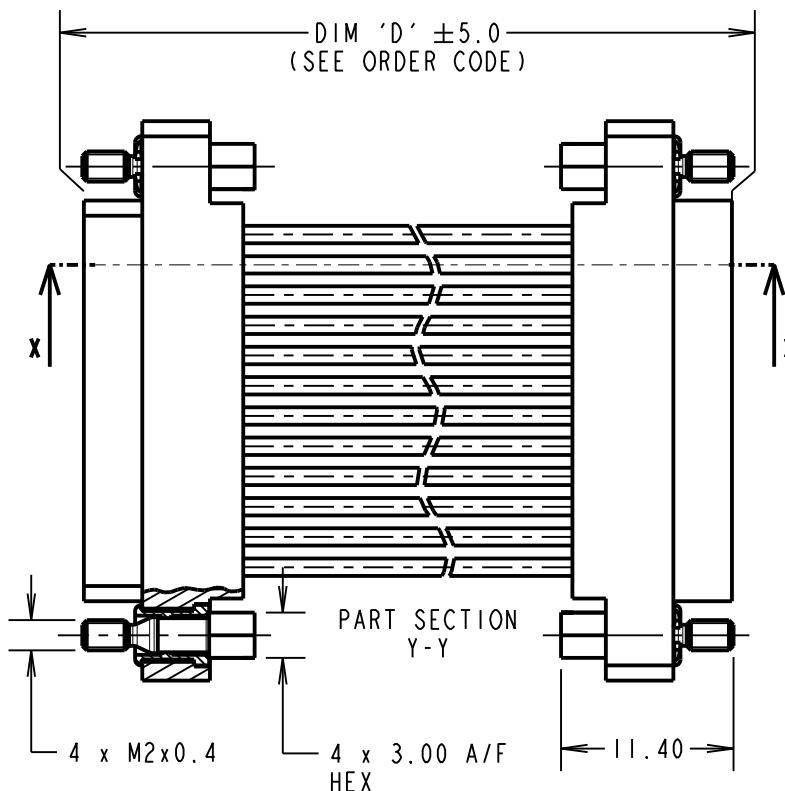
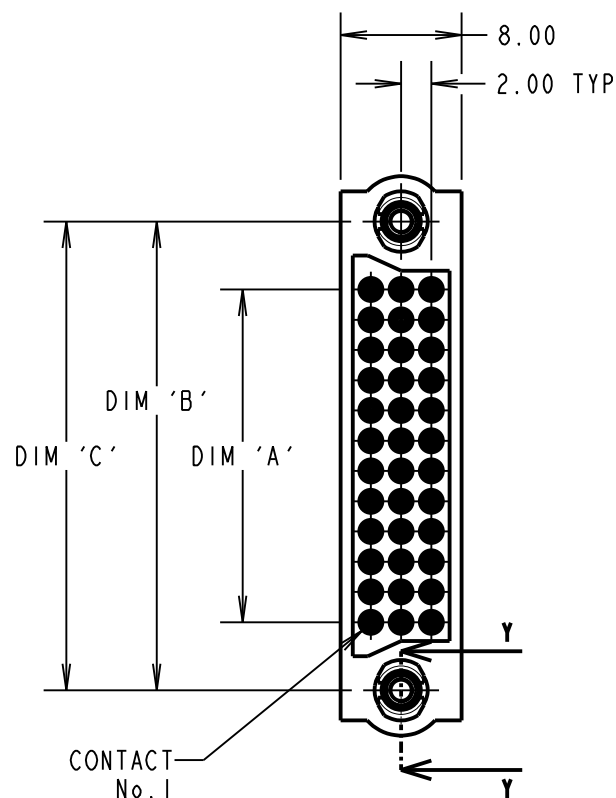
IF IN DOUBT - ASK

©

NOT TO SCALE

THIRD ANGLE PROJECTION

ALL DIMENSIONS IN mm



- NOTES:
- FOR COMPLETE SPECIFICATION, SEE COMPONENT SPECIFICATIONS C049XX AND C005XX (LATEST ISSUE).
 - CABLE ASSEMBLIES WILL BE BULK PACKED IN BAGS.
 - WIRING OF CONNECTOR:
CONTACT 1 TO CONTACT 1,
CONTACT 2 TO CONTACT 2, ETC.

DIMENSION	MEASUREMENT
DIM 'A'	((TOTAL No. OF CONTACTS /3) x2) +13.0
DIM 'B'	((TOTAL No. OF CONTACT /3) x2) +7.0
DIM 'C'	((TOTAL No. OF CONTACTS /3) x2) -2.0

EXAMPLE PART No.
54 CONTACT CONNECTOR WITH 500mm OF 24AWG WIRE =
M80-FC25405FI-0500FI
96 CONTACT CONNECTOR WITH 1000mm OF 28AWG WIRE =
M80-FC49605FI-1000FI

ORDER CODE: M83-FCXXX05FI-XXXXFI

WIRE GAUGE:
1 = 22AWG
2 = 24AWG
3 = 26AWG
4 = 28AWG

DIM 'D' LENGTH:
0060 = 60mm MIN
9999 = 9999mm MAX
(SEE TABLE FOR EXAMPLES)

TOTAL No. OF CONTACTS:
18, 27, 36, 54, 60, 72, 96

RTP	3	11.03.21	30101
NAME	ISS.	DATE	CN/CO
APPROVED: R.PORTLOCK			
CHECKED: M.RUDKIN			
DRAWN: R.ALEXANDER			
CUSTOMER REF.:			
ASSEMBLY DRG:			

HARWIN

www.harwin.com
technical@harwin.com

THIS DRAWING AND ANY INFORMATION OR DESCRIPTIVE MATTER SET OUT HEREON ARE CONFIDENTIAL AND COPYRIGHT PROPERTY OF THE HARWIN GROUP AND MUST NOT BE DISCLOSED, LOANED, COPIED OR USED FOR MANUFACTURING, TENDERING OR FOR ANY OTHER PURPOSE WITHOUT THEIR WRITTEN PERMISSION.

TOLERANCES
X. = ±1mm
X.X = ±0.50mm
X.XX = ±0.20mm
X.XXX = ±0.01mm
ANGLES = ±5°
UNLESS STATED

MATERIAL:
SEE ABOVE
FINISH: SEE ABOVE
S/AREA: mm²

TITLE:
JACKSCREW DATAMATE 3-ROW
CABLE ASSEMBLY

DRAWING NUMBER:
M83-FCXXX05FI-XXXXFI

SHT
2 OF 2