

# Customer Information Sheet

DRAWING No.: M83-FCXXX68FI-XXXXL

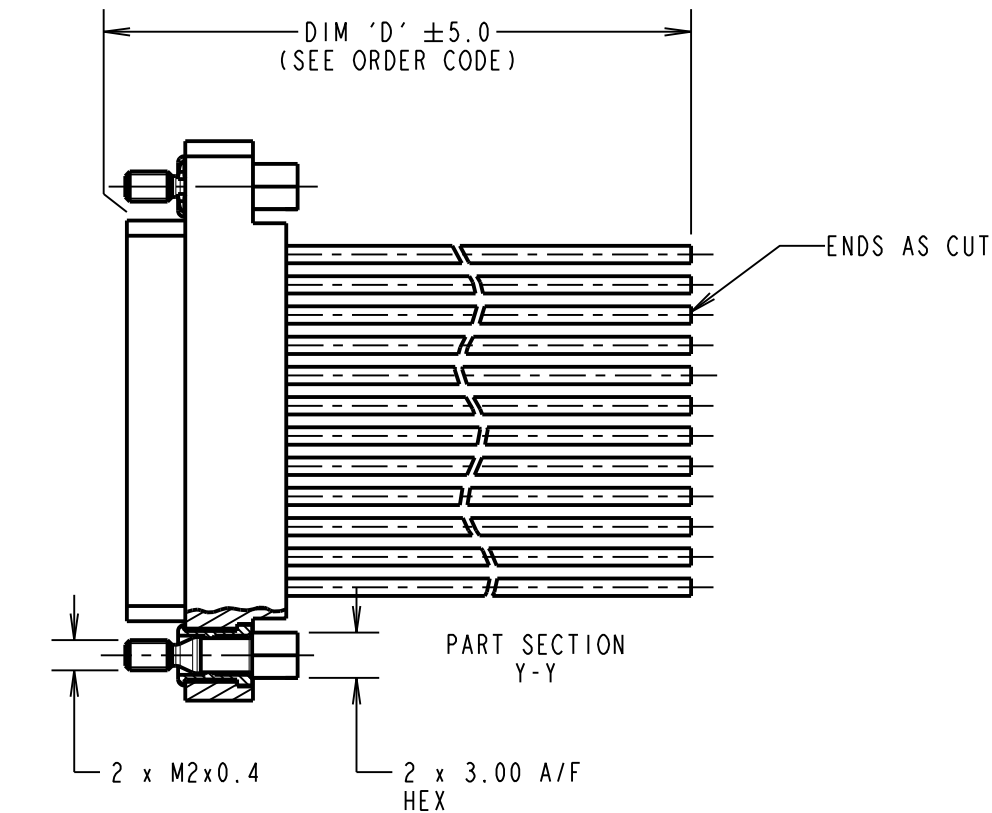
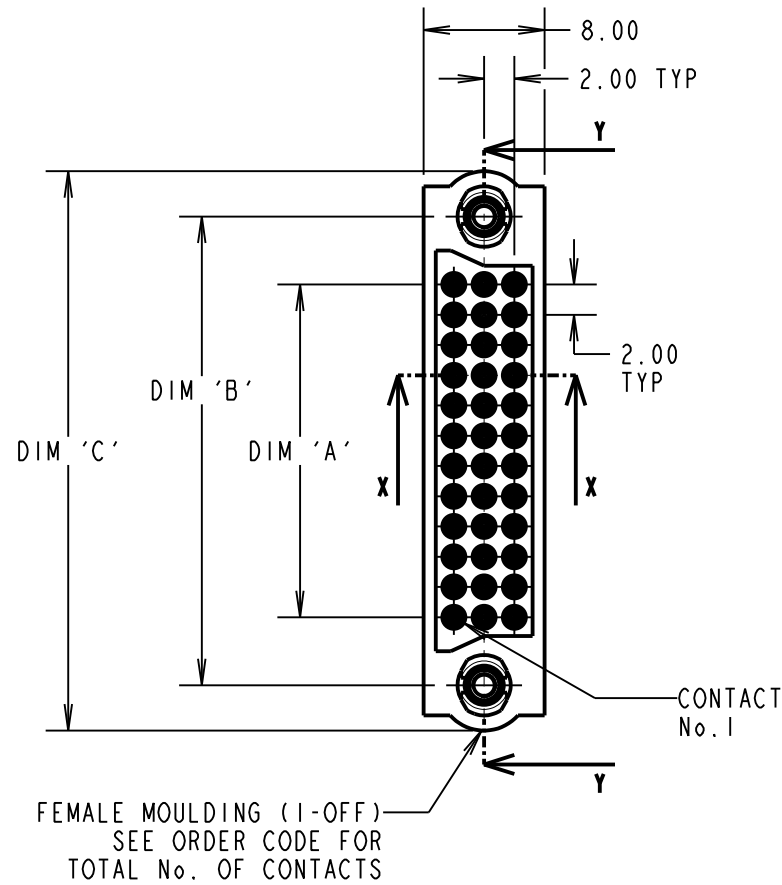
IF IN DOUBT - ASK

©

NOT TO SCALE

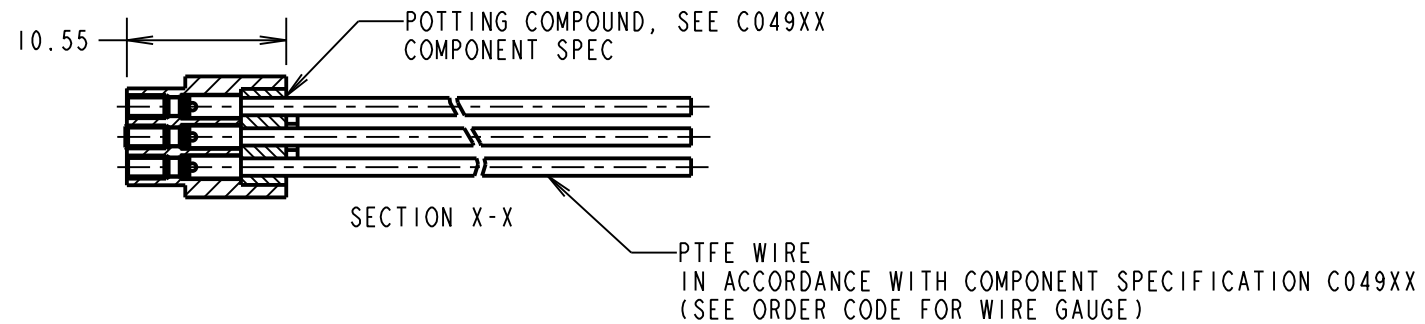
THIRD ANGLE PROJECTION

ALL DIMENSIONS IN mm



CONTACT No.	WIRE COLOUR
1	BLACK
2	BROWN
3	RED
4	ORANGE
5	YELLOW
6	GREEN
7	BLUE
8	VIOLET
9	GREY
10	WHITE

WIRE COLOURS REPEAT IN ABOVE ORDER FOR ASSEMBLIES OVER 10 CONTACTS



- NOTES:
- FOR COMPLETE SPECIFICATION, SEE COMPONENT SPECIFICATIONS C049XX AND C005XX (LATEST ISSUE).
  - CABLE ASSEMBLIES WILL BE BULK PACKED IN BAGS.

DIMENSION	MEASUREMENT
DIM 'A'	((TOTAL No. OF CONTACTS /3) x2) +13.0
DIM 'B'	((TOTAL No. OF CONTACT /3) x2) +7.0
DIM 'C'	((TOTAL No. OF CONTACTS /3) x2) -2.0

EXAMPLE PART No.  
54 CONTACT CONNECTOR WITH 500mm OF 24AWG WIRE =  
M80-FC25468FI-0500L  
96 CONTACT CONNECTOR WITH 1000mm OF 28AWG WIRE =  
M80-FC49668FI-1000L

ORDER CODE: M83-FCXXX68FI-XXXXL

WIRE GAUGE:

- 1 = 22AWG
- 2 = 24AWG
- 3 = 26AWG
- 4 = 28AWG

DIM 'D' LENGTH:

- 0060 = 60mm MIN
- 9999 = 9999mm MAX
- (SEE TABLE FOR EXAMPLES)

TOTAL No. OF CONTACTS:  
18, 27, 36, 54, 60, 72, 96

RTP	2	31.03.21	30101
NAME	ISS.	DATE	CN/CO
APPROVED: R.PORTLOCK			
CHECKED: R.ALEXANDER			
DRAWN: R.ALEXANDER			
CUSTOMER REF.:			
ASSEMBLY DRG:			

**HARWIN**

www.harwin.com  
technical@harwin.com

THIS DRAWING AND ANY INFORMATION OR DESCRIPTIVE MATTER SET OUT HEREON ARE CONFIDENTIAL AND COPYRIGHT PROPERTY OF THE HARWIN GROUP AND MUST NOT BE DISCLOSED, LOANED, COPIED OR USED FOR MANUFACTURING, TENDERING OR FOR ANY OTHER PURPOSE WITHOUT THEIR WRITTEN PERMISSION.

TOLERANCES

- X. = ±1mm
- X.X = ±0.50mm
- X.XX = ±0.20mm
- X.XXX = ±0.01mm
- ANGLES = ±5°
- UNLESS STATED

MATERIAL:

SEE ABOVE

FINISH:

SEE ABOVE

S/AREA:

mm<sup>2</sup>

TITLE:

JACKSCREW DATAMATE 3-ROW  
CABLE ASSEMBLY

DRAWING NUMBER:

M83-FCXXX68FI-XXXXL

SHT  
2 OF 2