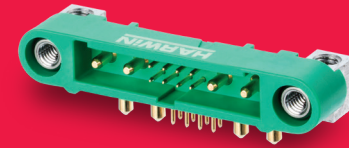
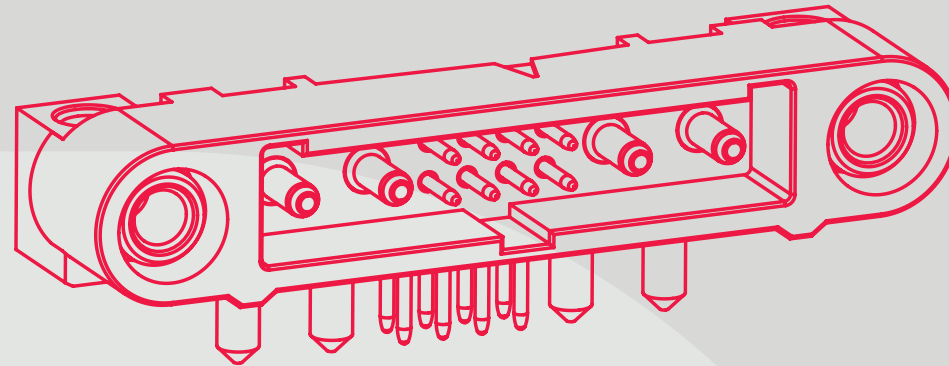


HARWIN

CONNECT TECHNOLOGY
WITH CONFIDENCE



HIGH RELIABILITY
WITH SUPREME
PERFORMANCE



HIGH RELIABILITY SIGNAL + POWER

SMALL AND LIGHT MICRO-MINIATURE CONNECTORS

HRI
RANGE

HARWIN



HRI CONNECTORS FROM HARWIN.

The Smallest, Lightest Mixed-Layout Connectors

The smallest and lightest mixed-layout connector available for high-performance applications, Gecko-MT is the ideal choice when SWaP matters most.

Gecko-MT combines the 1.25mm pitch Gecko signal connector system with 10A power contacts for a flexible mixed technology layout. Cable-to-board, board-to-board and cable-to-cable options.

The multi-finger Beryllium Copper contacts assure signal integrity under heavy vibration and shock, maintaining electrical connectivity in a variety of harsh environments.

Stainless steel jackscrews are available in both standard or reverse-fix configurations, ensuring secure connection. Lightweight metal hoods are available for additional cable protection and shielding.

Cable assembly options are available from our in-house cabling experts. Just specify the length and the signal cable gauge, and we'll produce fully inspected and tested assemblies ready for your production line.

FEATURES

- Mate-before-lock for quick and easy connections
- Assured signal integrity under extreme environments – vibration, shock and temperature resistance
- Stainless steel screw-loks for a strong, long-life reliable connection

APPLICATIONS

- Aviation and UAVs
- New Space
- Motorsport
- Defense & Security





SPECIFICATIONS

MATERIALS	ELECTRICAL	MECHANICAL	ENVIRONMENTAL
Housings: Glass-Filled High Temperature Thermoplastic, UL94V-0	Current per contact: 10A max for power contacts 2.8A max for signal contacts	Durability: 1,000 mating cycles	Operating temperature: -65°C to +150°C
Contacts: Copper Alloy, Gold Finish	Working voltage: 450V AC/DC	Insertion force (per contact): 7N max for power contacts 2.8N max for signal contacts	Environmental classification: 65/150/56 days at 93% RH
Screw-loks: Stainless Steel	Maximum voltage: 600V AC/DC	Withdrawal force (per contact): 0.2N min	Vibration resistance: 20G (196m/s²) for 6 hrs
Metal Backshells: Aluminium Alloy	Contact resistance: 25mΩ max	Contact retention in housing: 6N min	Shock resistance: 100G (981m/s²) in Z axis 50G (490m/s²) in X/Y axis
	Insulation resistance: 1GΩ min at 500V DC	Pitch: 1.25mm for signal contacts	Outgassing: 0.68% TML, 0.01% CVCM, 0.26% WVR
			Compliance: RoHS Compliant REACH / CMRT statements

Specifications are subject to change.





PRODUCT CATEGORIES

Cable Assemblies

Ready-to-use cabled connectors, single or double ended, fully inspected and tested. Backpotted for added strain relief. Ideal for both prototyping and full production requirements.



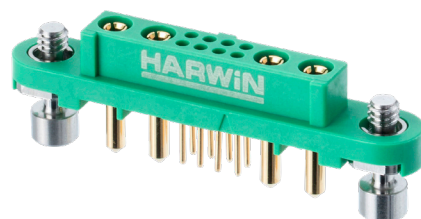
Cable Connector Parts

Cable housings and contacts sold separately, in male and female options. See Tooling & Accessories for cable crimping and assembly tools.



PCB Connectors

Board-mounted connectors in male and female options. Low profile, with standard gender or reverse fix screw-loks.



Tooling & Accessories

Associated products and tooling for the Gecko-MT range.



Specifications are subject to change.



VIEW FULL SERIES & SPECIFICATIONS [HERE](#)





PRODUCT CATEGORIES

Backshells

Aluminium backshells for cable and PCB mounting, compatible with male and female connectors. EMC shielding with metal braid and micro-band fixing, available as separate component or as completed ready-made cable assemblies. Robust hoods for long-term physical protection.



Pre-Cabled Contacts

Individual cable contacts pre-crimped to lengths of equipment wire. Signal and power contacts available in single or double ended options. Eliminates the additional expense of crimp tooling - great for prototyping and volume production.



Specifications are subject to change.



DOWNLOADS

Technical Documents

Component Specification (including pin numbering system)



Product Training

Product Training Module (PTM)



Cable Assembly Instruction Video



Test Reports

HT072 – Gecko-MT – Electrical, Mechanical and Environmental



HT087 – Gecko-MT Phase 2 - Electrical, Mechanical and Environmental



HT030 – Gecko (G125 Series) – Electrical, Mechanical and Environmental



HT069 – Gecko – Backpotting Temperature Test



HT075 – Gecko-SL Shielded Cable Assemblies



HT067 – Gecko-SL Mechanical Screw-Lok Test



Specifications are subject to change.



VIEW FULL SERIES & SPECIFICATIONS **HERE**



HARWIN

CONNECT TECHNOLOGY
WITH CONFIDENCE



HIGH RELIABILITY
WITH SUPREME
PERFORMANCE



DEPENDABLE
CONNECTIVITY
ACROSS THE BOARD



INNOVATIVE
DESIGNS FOR
EASY ASSEMBLY

HRI
RANGE

BBi
RANGE

EZi
RANGE

FOR FURTHER INFORMATION PLEASE CONTACT:

Europe, Middle East & Africa

E: technical@harwin.com

Americas

E: technical-us@harwin.com

Asia Pacific

E: technical-asia@harwin.com

WWW.HARWIN.COM

